

Illustrated Parts-Breakdown

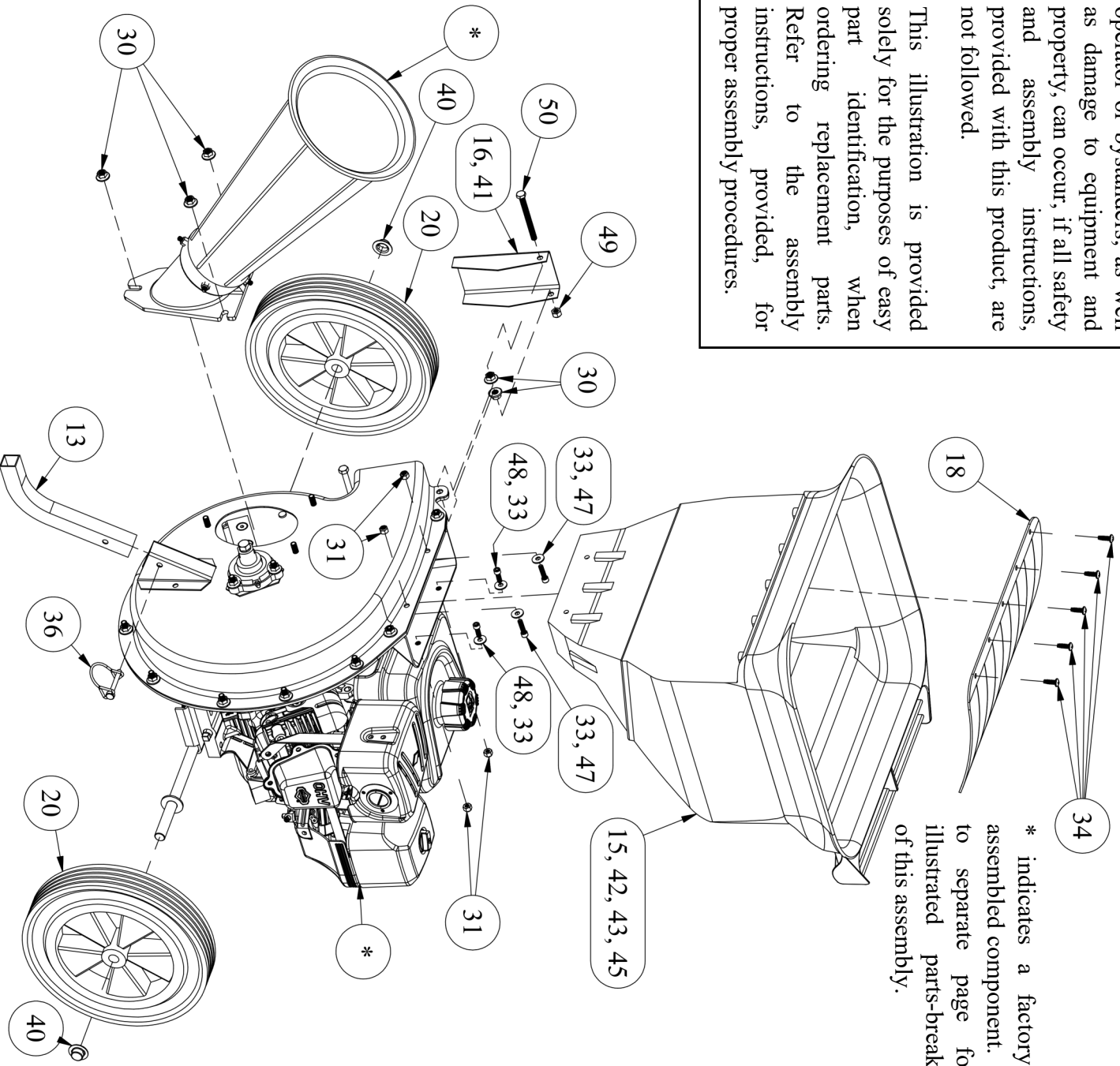
CSV-3065B Customer Assembly Components

The components identified below are provided with a new chipper and must be assembled by the customer. Refer to the Parts List, provided on page 5, to see the part number and part description, that corresponds to the balloon numbers, found in this illustration.

⚠ WARNING

Serious personal injury to the operator or bystanders, as well as damage to equipment and property, can occur, if all safety and assembly instructions, provided with this product, are not followed.

This illustration is provided solely for the purposes of easy part identification, when ordering replacement parts. Refer to the assembly instructions, provided, for proper assembly procedures.



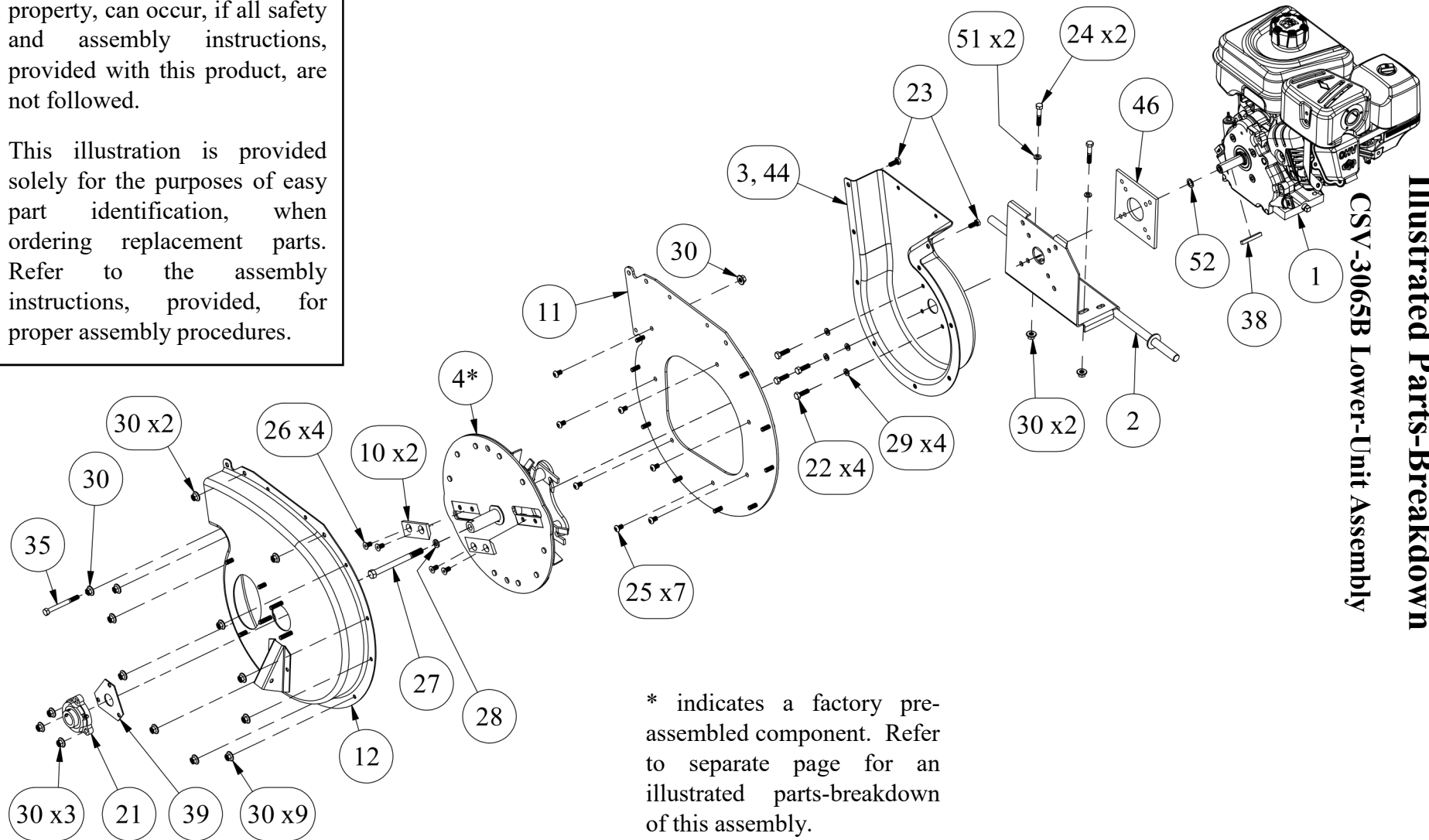
* indicates a factory pre-assembled component. Refer to separate page for an illustrated parts-breakdown of this assembly.

! WARNING

Serious personal injury to the operator or bystanders, as well as damage to equipment and property, can occur, if all safety and assembly instructions, provided with this product, are not followed.

This illustration is provided solely for the purposes of easy part identification, when ordering replacement parts. Refer to the assembly instructions, provided, for proper assembly procedures.

The components identified below are part of the factory pre-assembled lower unit assembly. Refer to the Parts List, provided on page 5, to see the part number and part description, that corresponds to the balloon numbers, found in this illustration.



* indicates a factory pre-assembled component. Refer to separate page for an illustrated parts-breakdown of this assembly.

Illustrated Parts-Breakdown
CSV-3065B Lower-Unit Assembly

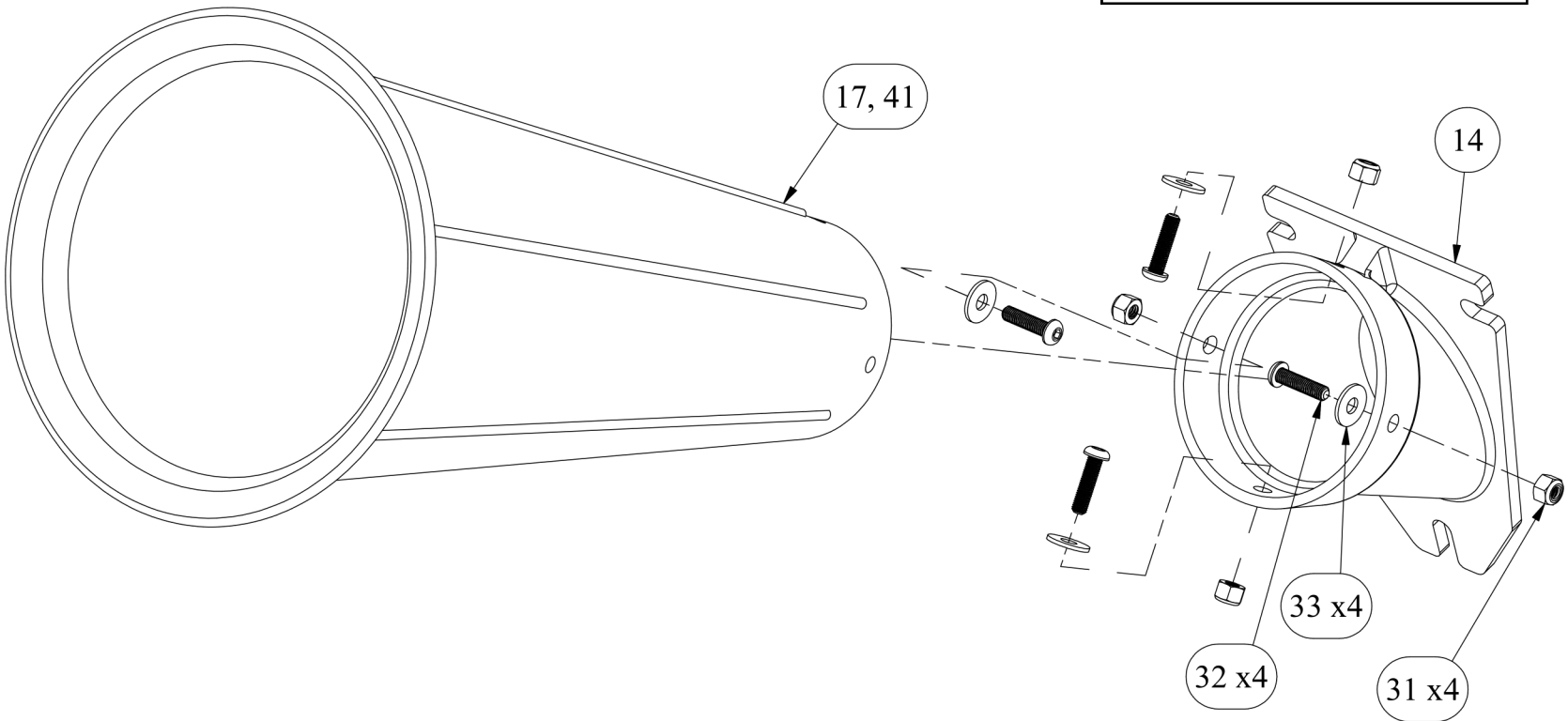
Illustrated Parts-Breakdown

Chipper-Cone Assembly

⚠ WARNING

Serious personal injury to the operator or bystanders, as well as damage to equipment and property, can occur, if all safety and assembly instructions, provided with this product, are not followed.

This illustration is provided solely for the purposes of easy part identification, when ordering replacement parts. Refer to the assembly instructions, provided, for proper assembly procedures.



The components identified below are part of the factory pre-assembled chipper cone assembly. Refer to the Parts List, for your specific unit, provided on page 5, to see the part number and part description, that corresponds to the balloon numbers, found in this illustration.

! WARNING

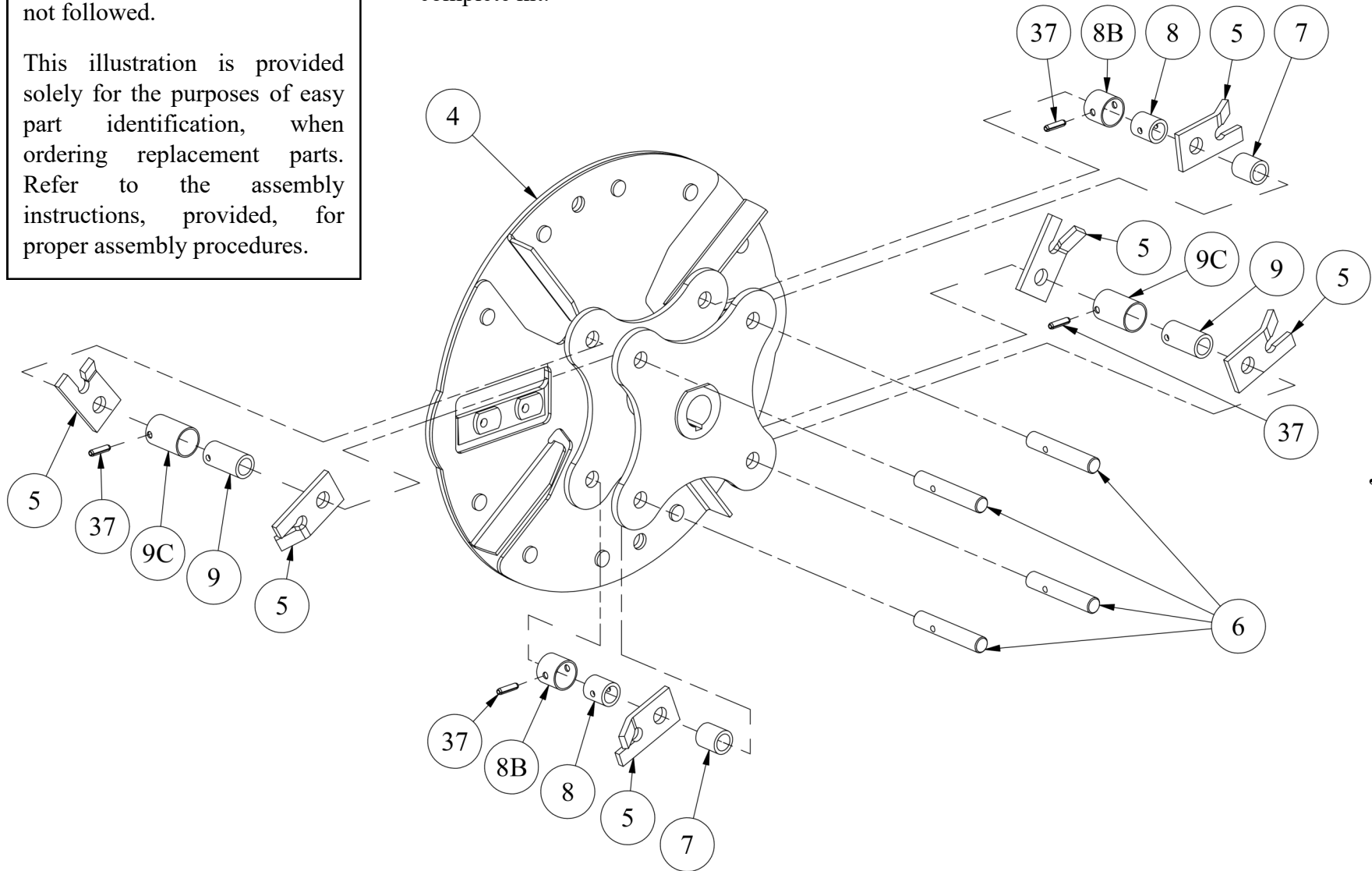
Serious personal injury to the operator or bystanders, as well as damage to equipment and property, can occur, if all safety and assembly instructions, provided with this product, are not followed.

This illustration is provided solely for the purposes of easy part identification, when ordering replacement parts. Refer to the assembly instructions, provided, for proper assembly procedures.

The components identified below are part of the factory pre-assembled rotor assembly. Refer to the Parts List, for your specific unit, provided on page 5, to see the part number and part description, that corresponds to the balloon numbers, found in this illustration.

The complete rotor assembly, Balloon 4, comes factory pre-assembled, with all of the items depicted. *Note: It **does not** include the chipper-knives.*

The y-hammer components, everything depicted except Balloon 4, are only sold as a complete kit.



Illustrated Parts-Breakdown
CSV-3065B Rotor Assembly

Illustrated Parts-Breakdown

CSV-3065B Detailed Parts List

The "Ill. #" refers to the balloon numbers in the Illustrated Parts-Breakdown illustrations. Refer to both the "Part #" and "Description" when ordering. The "Qty" refers to the total number of each part, used in the assembly of the chipper shredder. Items without an "Ill. #" are available, but are not shown in the illustrations.

| Ill. # | Part # | Description | Qty |
|--------|------------|--------------------------------|-----|
| 28 | 716620005 | Lock washer, split ring, 3/8 | 1 |
| 29 | 705620005 | Lock washer, split ring, 5/16 | 4 |
| 30 | 705320005 | SFN, 5/16-18 | 23 |
| 31 | 888000042 | NILN, 1/4-20 | 8 |
| 32 | 888000028 | BHSCS, 1/4-20 x 1 | 4 |
| 33 | 710620005 | Flat washer, USS, 1/4 | 8 |
| 34 | 700020005 | TFSPPH, 14 x 3/4 | 5 |
| 35 | 717520005 | HHCS, 5/16-18 x 3 1/4 | 1 |
| 36 | 710220005 | Lynch pin | 1 |
| 37 | 703200005 | Roll pin, 3/16 x 3/4 | 4 |
| 38 | 703100005 | Key, 1/4" sq. x 2" | 1 |
| 39 | 888000193 | Greasable bearing shield | 1 |
| 40 | 709920005 | Push nut, 5/8" | 2 |
| 41 | 800070435V | Decal, CSV, danger, vertical | 2 |
| 42 | 800070445 | Decal, caution, 4" x 9.625" | 1 |
| 43 | 800070435H | Decal, CSV, danger, horizontal | 1 |
| 44 | 800070455 | Decal, serial number | 1 |
| 45 | 800070832 | Decal, CSV, size limit, 1/2" | 1 |
| 46 | 888000209 | Engine spacer | 1 |
| 47 | 888000136 | SHCS, 1/4-20 x 3/4 | 2 |
| 48 | 888000137 | SHCS, 1/4-20 x 1 | 2 |
| 49 | 888000055 | NILN, 5/16-18 | 1 |
| 50 | 888000037 | HHTB, 5/16-18 x 3 1/2 | 1 |
| 51 | 888000105 | Flat washer, SAE, 5/16 | 2 |
| 52 | 888000117 | Shim, 0.375 ID x 0.062 THK | 1 |
| - | 888000230 | Allen wrench, 3/16, 6" arm | 1 |
| - | 719050005 | Allen wrench, 5/32 | 1 |
| - | 700000005 | Safety goggles | 1 |

| Ill. # | Part # | Description | Qty |
|--------|-----------|--------------------------------|-----|
| 1 | 888000218 | Engine, CSV, 6.5 hp, Briggs | 1 |
| 2 | 888000210 | Engine mount/axle | 1 |
| 3 | 302010215 | Grinder housing, gas | 1 |
| 4 | 325000615 | Rotor, std. gas w/1" bore | 1 |
| 5 | 103009035 | Y-hammer | 6 |
| 6 | 204009045 | Y-hammer shaft, gas | 4 |
| 7 | 211009075 | Spacer A (short, plain) | 2 |
| 8 | 211009055 | Spacer B (short, w/hole) | 2 |
| 8B | 265001895 | Roll pin sleeve B | 2 |
| 9 | 211009355 | Spacer C (long, w/hole) | 2 |
| 9C | 265001905 | Roll pin sleeve C | 2 |
| 10 | 810009015 | Chipper knife | 2 |
| 11 | 303010235 | Center plate, 14" | 1 |
| 12 | 302010255 | Fan housing, 14" | 1 |
| 13 | 888000179 | Leg | 1 |
| 14 | 400010365 | Chipper cone casting | 1 |
| 15 | 500050515 | Shredder hopper, black | 1 |
| 16 | 113010395 | Discharge deflector | 1 |
| 17 | 500050375 | Chipper cone, black | 1 |
| 18 | 114000345 | Shredder hopper guard | 1 |
| - | 700060405 | Collection bag, std, 24" x 36" | 1 |
| 20 | 709040005 | Wheel, 12" | 2 |
| 21 | 888000194 | Bearing, 1" bore, greasable | 1 |
| 22 | 888000098 | HHCS, 5/16-24 x 1 | 4 |
| 23 | 705520005 | HHCS, 5/16-18 x 3/4 | 2 |
| 24 | 751520005 | HHCS, 5/16-18 x 1 3/4 | 2 |
| 25 | 705720005 | BHSCS, 5/16-18 x 1/2 | 7 |
| 26 | 706850005 | FHSCS, 5/16-24 x 5/8 | 4 |
| 27 | 888000253 | HHCS, 3/8-24 x 5 1/2 | 1 |